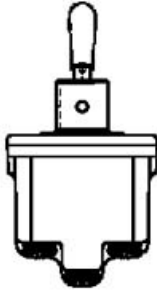




2NT1-12



Actual product appearance may vary.

NT Series Toggle Switch, 2 pole, 3 position, Screw terminal, Standard Lever

Features

- Completely sealed switching chamber
- NEMA 3, 3R, 4, and 13
- UL recognized, File E12252, Vol. 1, Section 44
- CSA certified, File LR4442
- CE approved

Potential Applications

- Aerial lifts, scissor lifts, truck mounted tele-handlers, and cranes
- Construction equipment
- Agriculture equipment
- Material-handling equipment
- Factory-floor control units
- Machine tool equipment manufacturers

Description

MICRO SWITCH™ NT Series toggle switches meet the need for a rugged, cost-effective toggle switch. Quality construction features include a seal between the toggle lever and bushing, and between the cover and case. These switches can be used where panels are subject to splashes, hosedowns, or outdoor environments. The "Easy-Start" threaded bushing enables quick alignment of mounting nut to decrease the chance of cross threading. The panel stand-off with O-ring feature available on some listings, eliminates the need for behind-the-panel hardware, provides uniform panel height, and provides a panel to cover seal.

Product Specifications

Circuitry/ Operating action	<p>Keyway Maintained Position</p> <p>3 2 1 6 5 4 ON</p>	<p>Center Maintained Position</p> <p>3 2 1 6 5 4 ON</p>	<p>Opposite Keyway Maintained Position</p> <p>3 2 1 6 5 4 ON</p>
	Product Type	MICRO SWITCH™ Toggle Switch	
Ampere/ Voltage Range (Resistive Load)	0.5 A to 20 A at 0.5 Vdc to 28 Vdc, 0.75 A at 115 Vdc, 0.5 A at 250 Vdc, 0.5 A to 15 A at 0.5 Vac to 277 Vac		
Circuitry	DPDT		
Action	3 position		
Mounting	Bushing 15/32 in		
Termination	Screw		
Lever Type	Standard		
UL/CSA Rating Code	L191: 15 A-125, 250, 277 Vac; 1/2 Hp-125 Vac; 1 Hp-250, 277 Vac; 5 A-120 Vac "L"		
Comment	Thermoplastic case		
Availability	Global		
UNSPSC Code	30211908		
UNSPSC Commodity	30211908 Toggle switches		
Series Name	NT		


MICROSWITCH
a Honeywell Division

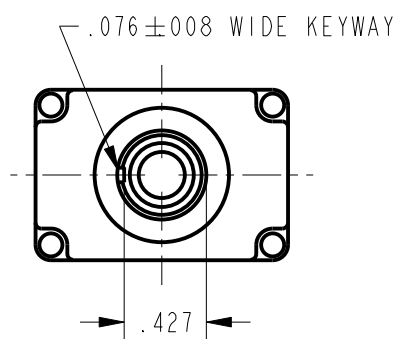
FED. MFG. CODE 91929

SWITCH - TOGGLE

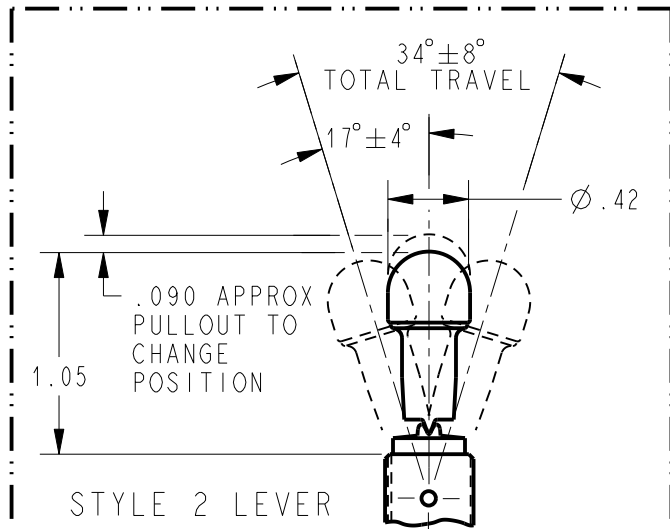
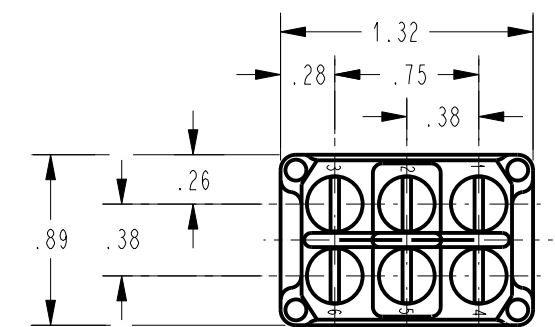
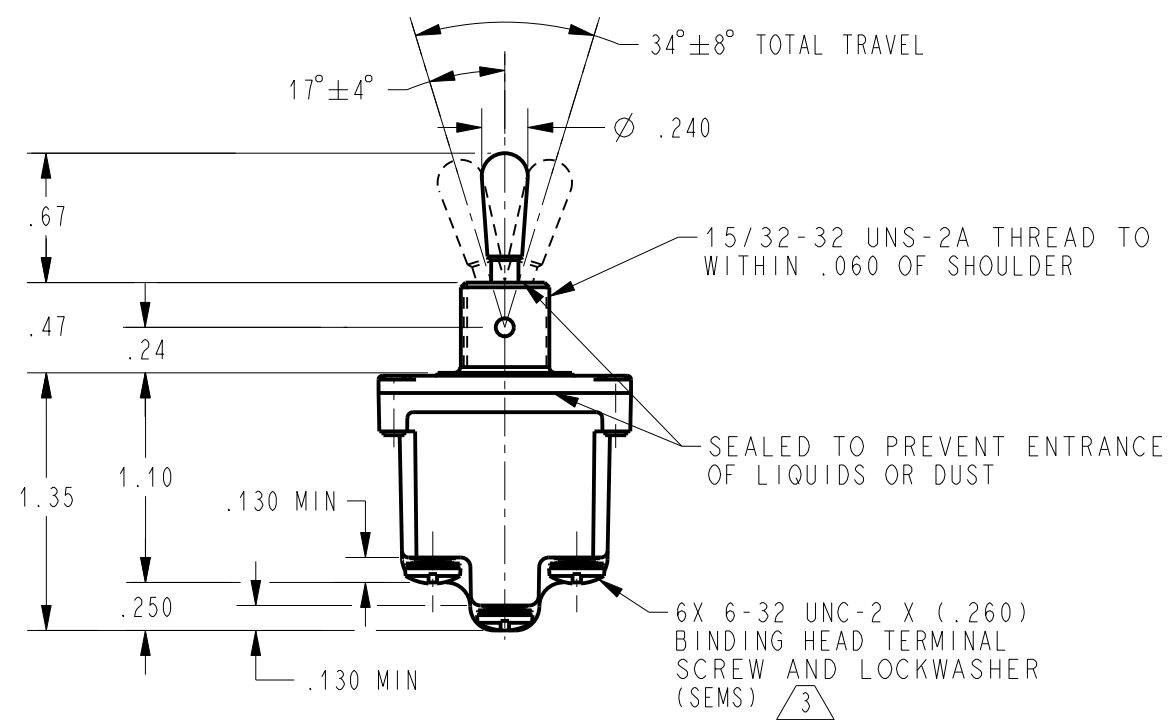
CATALOG LISTING
2NT1-12 SERIES CHART 1

THIS DRAWING COVERS A PROPRIETARY ITEM AND IS THE PROPERTY OF MICRO SWITCH. A DIVISION OF HONEYWELL. THIS DRAWING IS NOT TO BE COPIED OR USED WITHOUT THE APPROVAL OF MICRO SWITCH


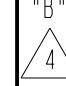
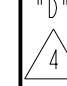
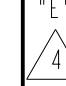
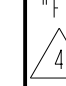

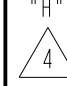
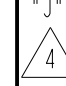
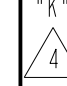

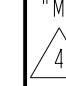
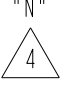
CATALOG LISTING	AVAILABLE LOCKING COMBINATIONS FOR CONFIGURATION SEE LETTERED DETAILS	STYLE NUMBER	ELECTRICAL RATING	
			L191	15A 125, <u>250</u> , 277 VAC 1/2HP 125 VAC 1HP <u>250</u> , 277 VAC 5A 125 VAC "L"
2NT1-12	NONE	1		
2NT1-12 / 5	A,B,D,E,F,G,H,J,K,L,M,N,P	2		

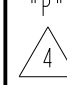
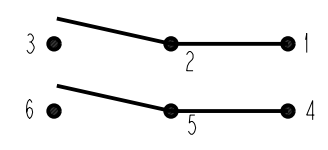
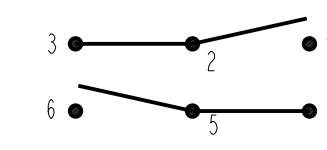
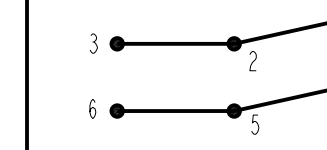


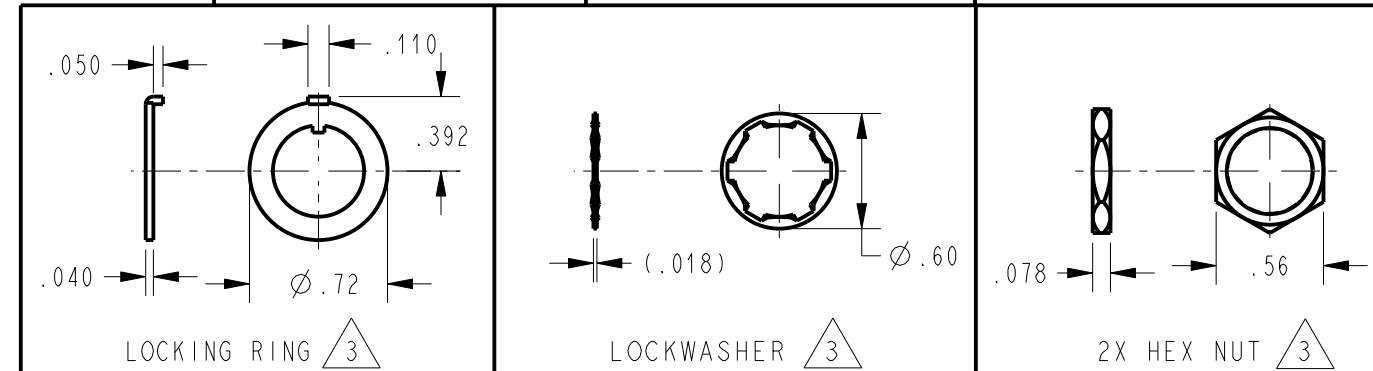
STYLE 1 LEVER



STYLE 2 LEVER

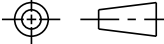
"A"  LOCKED IN THREE POSITIONS	"B"  LOCKED IN CENTER AND EXTREME POS. (KEYWAY SIDE)	"D"  LOCKED OUT OF CENTER POSITION	"E"  LOCKED IN CENTER POSITION	"F"  LOCKED IN EXTREME POS. (OPP. KEYWAY)	"G"  LOCKED IN EXTREME POS. (KEYWAY SIDE)
"H"  LOCKED OUT OF CENTER AND EXTREME POS. (KEYWAY SIDE)	"J"  LOCKED OUT OF CENTER AND EXTREME POS. (OPP. KEYWAY)	"K"  LOCKED IN CENTER AND EXTREME POS. (OPP. KEYWAY)	"L"  LOCKED OUT OF EXTREME POS. (KEYWAY SIDE)	"M"  LOCKED OUT OF AND INTO EXTREME POS. (OPP. KEYWAY)	"N"  LOCKED OUT OF EXTREME POS. (OPP. KEYWAY)

"P"  LOCKED OUT OF AND INTO EXTREME POS. (KEYWAY SIDE)	CIRCUIT MADE WITH TOGGLE LEVER IN		
	KEYWAY SIDE	CENTER	OPPOSITE KEYWAY
			
	MAINTAINED POSITION	MAINTAINED POSITION	MAINTAINED POSITION



NOTES

- SWITCHES ARE CAPABLE OF WITHSTANDING A TEMPERATURE OF 160°F CONTINUOUSLY AT FULL RATED LOAD
- MICRO SWITCH CAT. LIST. MARKED ON SIDE OF SWITCH
- FURNISHED UNASSEMBLED
- KEYWAY SHOWN ON LEFT SIDE
- SUFFIX LETTER MUST BE ADDED FOR DESIRED TYPE OF TOGGLE LOCKING. SEE CHART FOR AVAILABLE LOCKING COMBINATIONS

THIRD ANGLE PROJECTION	
	
SCALE	FULL
DO NOT SCALE PRINT	
UNLESS OTHERWISE SPECIFIED TOLERANCES ARE	
ONE PLACE	(.0) ±.030
TWO PLACE	(.00) ±.015
THREE PLACE	(.000) ±.005
ANGLES	±
WEIGHT	.15 LBS APPROX

CATALOG LISTING
2NT1-12 SERIES CHART 1
 PAGE 1 OF 1
 RELEASE NO. PR-20820
 REPLACES
 CHECK
 REVISIONS
 A CO-94328
 S A V 22 NOV 99
 B 207782
 C S L 27 MAR 03
 C 0002302
 C S L 10 DEC 03
 CHECK
 22 NOV 99
 SAV
 CHECK
 22 NOV 99
 DRAWN
 PTC/CAD 2D
 S A V 22 NOV 99
 CHECK
 22 NOV 99

ANSI Y14.5M-1982 APPLIES